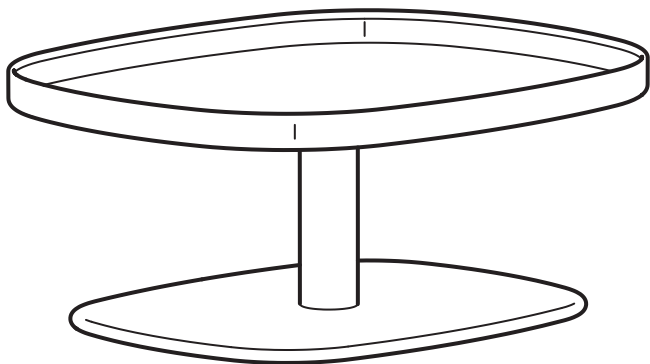
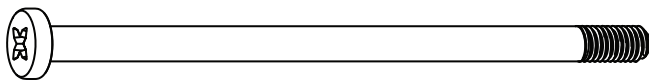
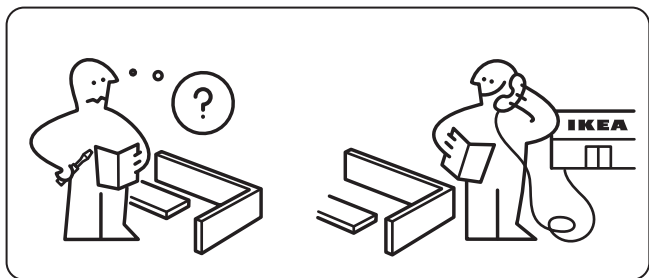
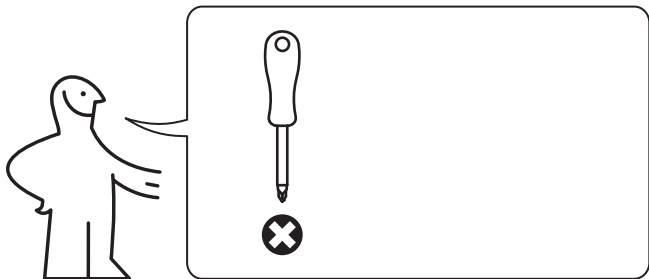


KRUSTISTEL

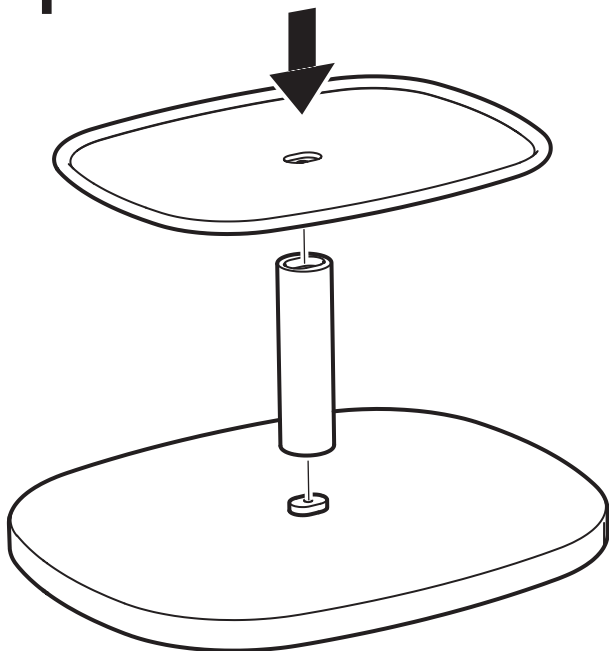


Design and Quality
IKEA of Sweden



1x

1



2

