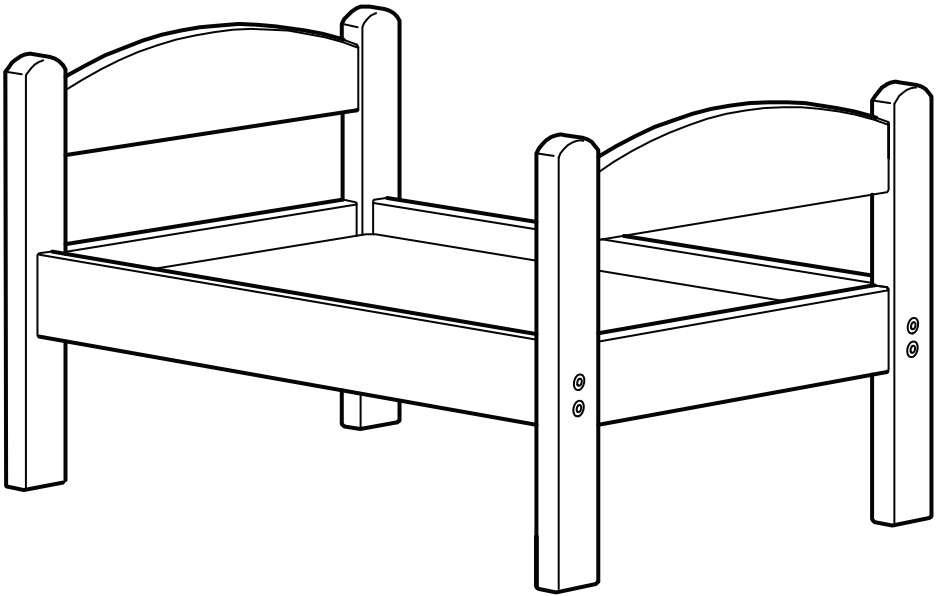
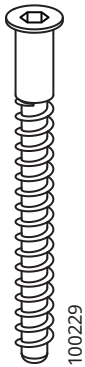
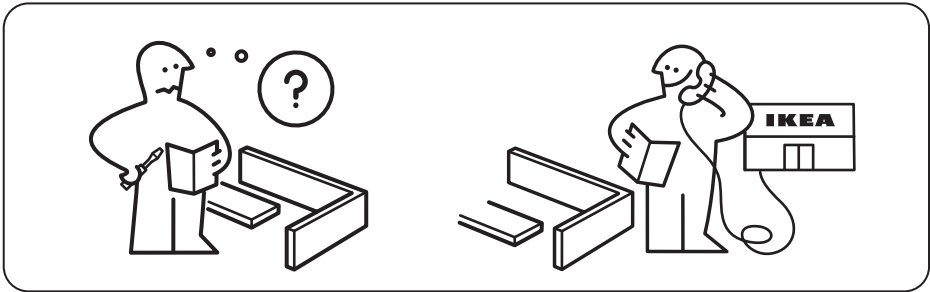
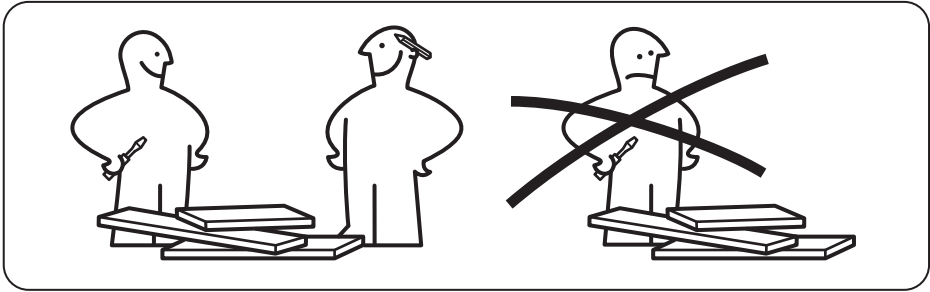


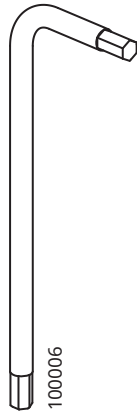
DUKTIG



Design and Quality
IKEA of Sweden

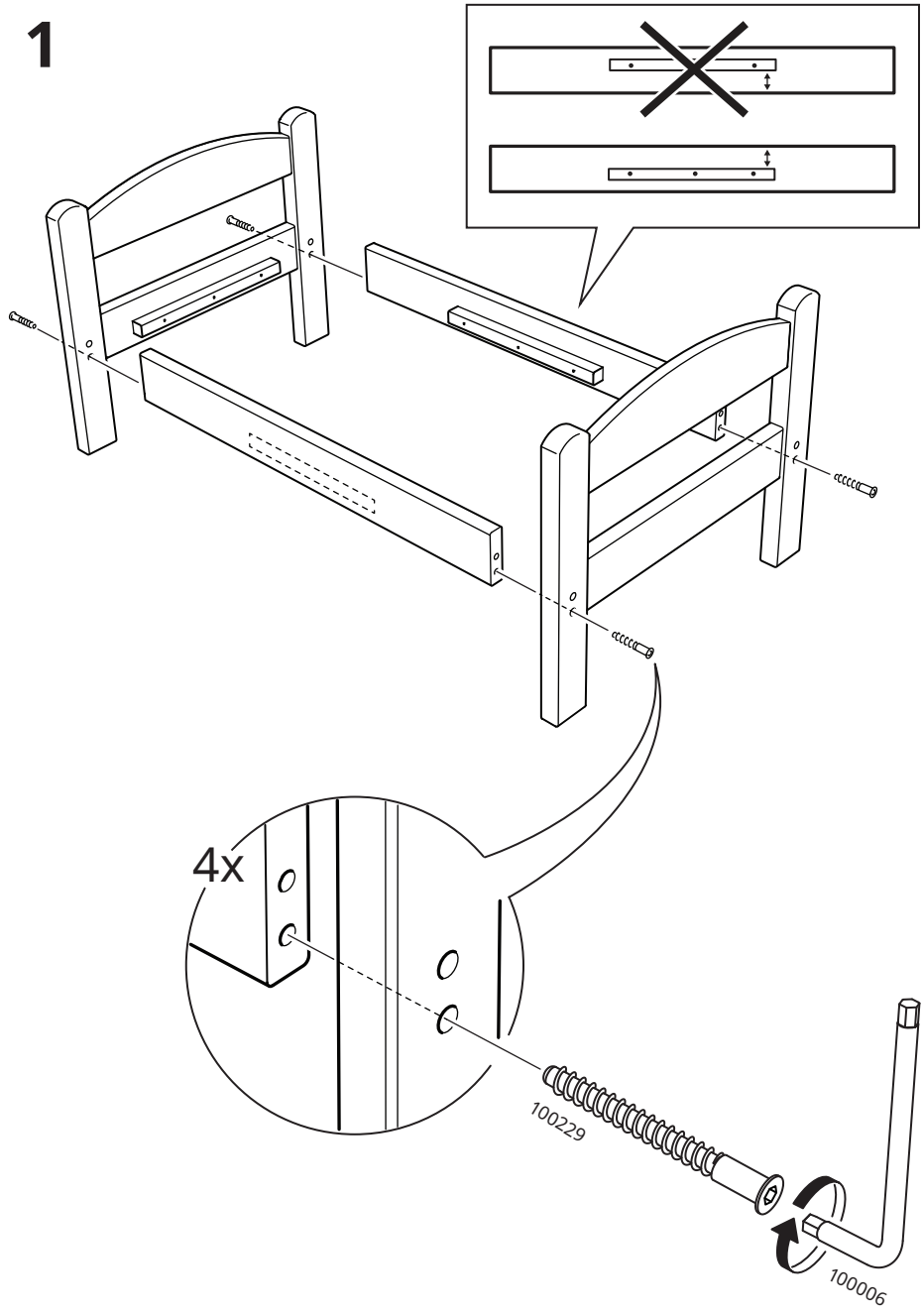


8x

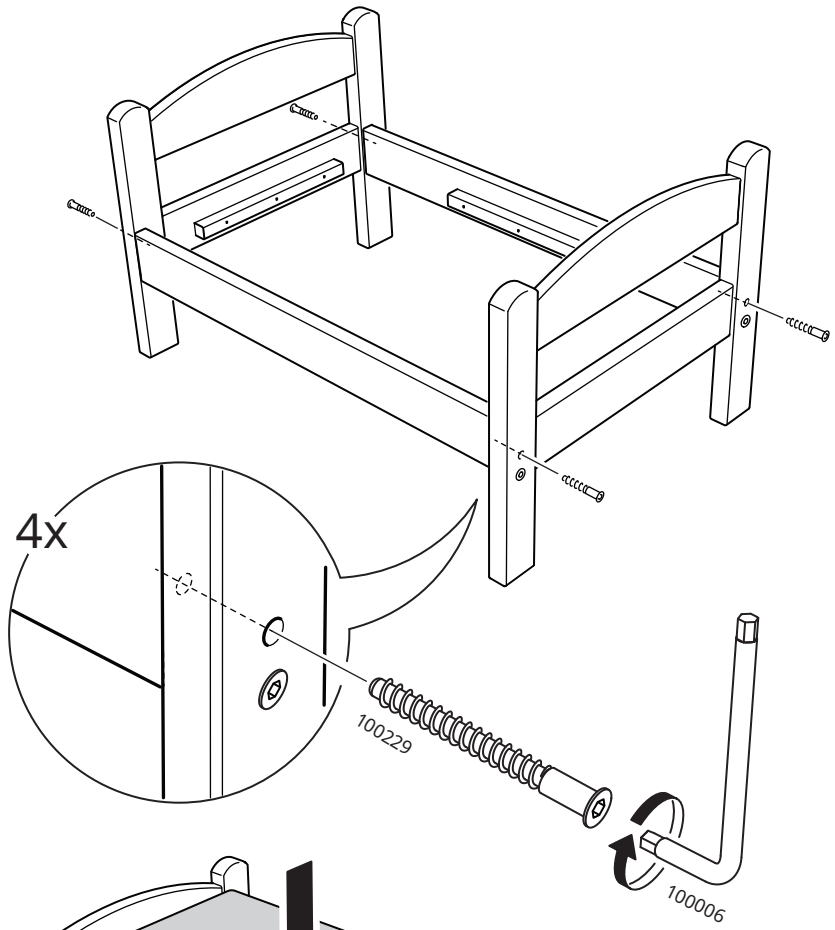


1x

1



2



3

