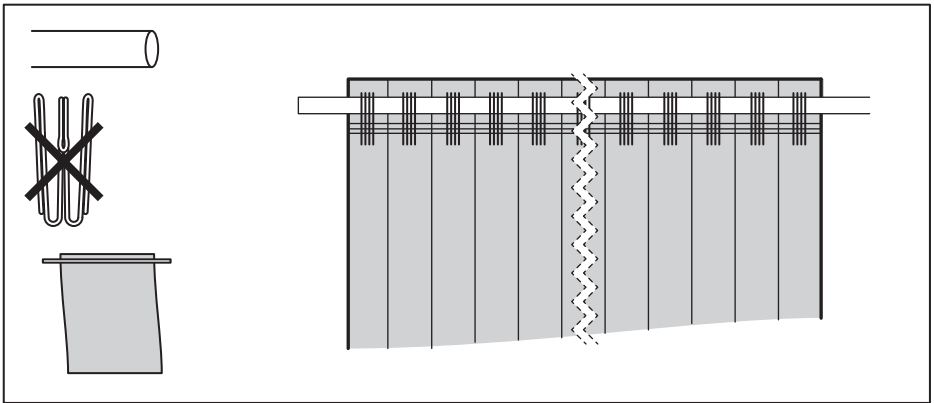
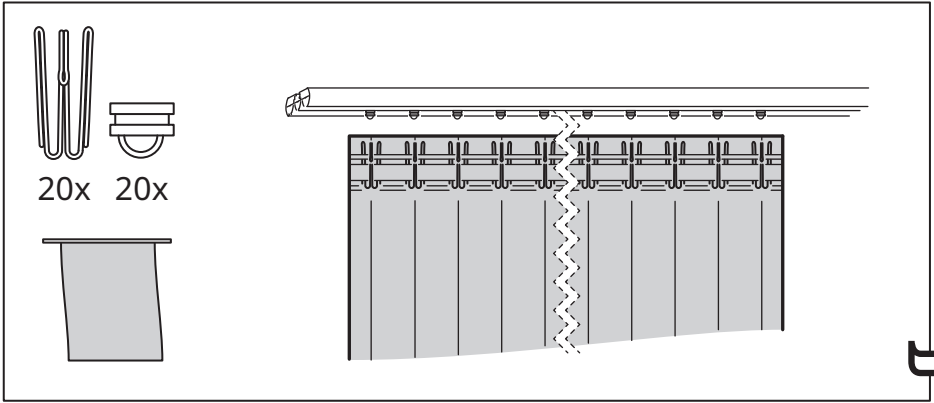
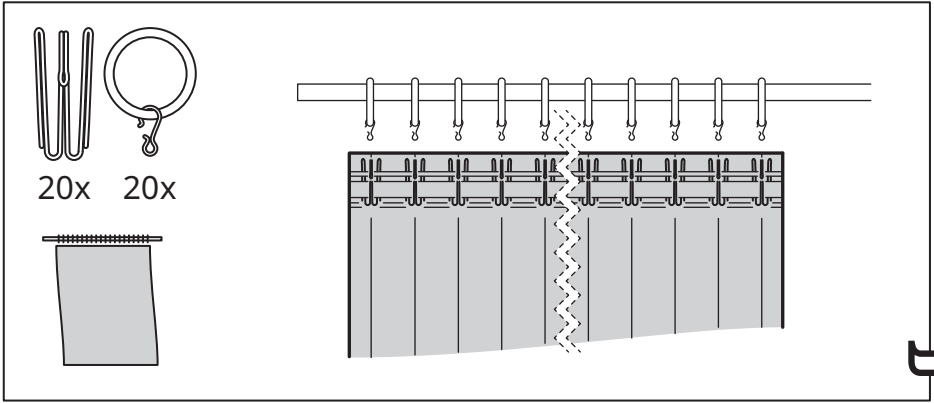
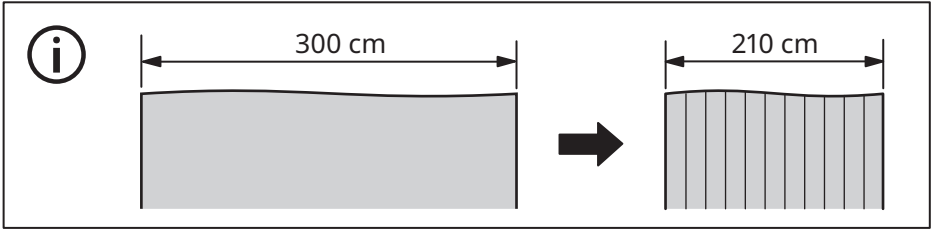


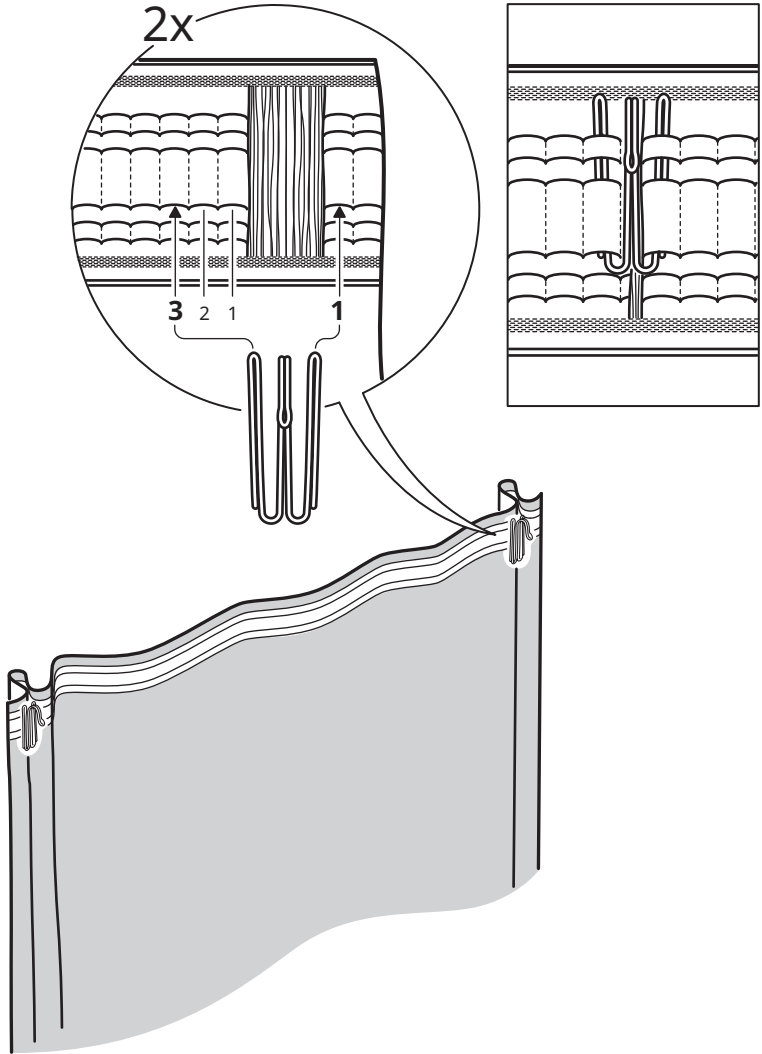


Design and Quality  
IKEA of Sweden





**1**



2

